

ProSeries[®] 384

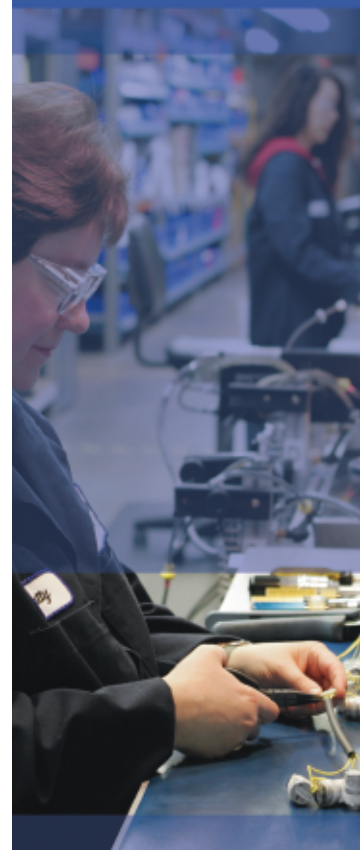
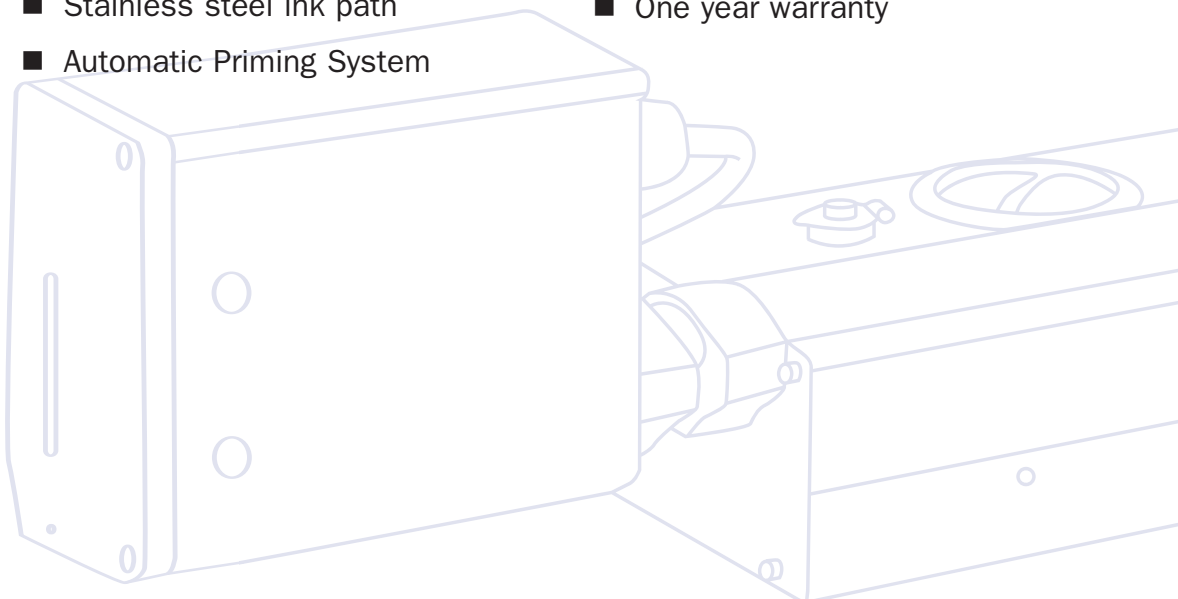
Barcode Printing for the Real World

This high resolution printhead for industrial environments prints text, graphics and barcodes up to 2" in height.

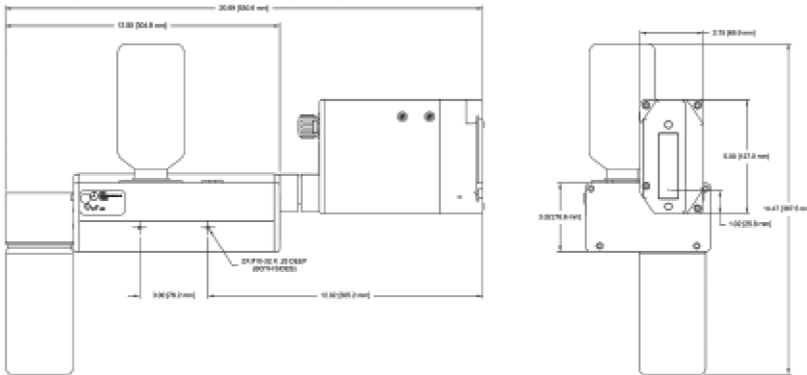


ProSeries 384 Features & Benefits:

- 2" print height
- Prints bar codes, logos, graphics and text
- Works with all Marksman controllers
- Stainless steel ink path
- Automatic Priming System
- Dual ink feed for faster, smoother printing
- Industrial-grade construction
- Serviceable for maximum printhead life
- One year warranty



Dimensions



Printheads

Print Height	Image area up to 2"
Print Orientation	Integrated – horizontal or horizontal angle, Modular
Mounting Angle	90°
Orifices/Channels	384/128
Lines of Print	Up to 21 lines
Horizontal Resolution	150 or 300 dpi
Throw Distance	Up to 1/8"
Operating Conditions	Temperature: 50° - 104° F (10° - 40° C) Relative humidity: 20% - 80% (non-condensing)
Storage Conditions	Temperature: 32° - 109° F (0° - 43° C) Relative Humidity: 20% - 80% (non-condensing)
Cable Lengths	30" standard, 10' and 25' extensions available

Inks & Ink Delivery System

Priming	Automatic Priming System, standard
Ink Delivery	Dual feed system
Sensors	Float switch low ink sensor and full waste bottle sensor
Ink	ScanTrue II black
Substrates	Formulated for porous surfaces
Applications	Formulated for barcodes, logos, graphics and text messages
Drying Time	Less than 1/4 second on porous surfaces
Characters/ML	199,800 characters at .375" height (10 mm) 173,160 characters at .5" height (12 mm) 37,106 characters at 1" height (25 mm) 19,604 characters at 2" height (51 mm)

Print Sample



Print sample produced by a single ProSeries 384 printhead

Distributor Information



Superior Case Coding, Inc.
635 N. Twin Oaks Valley Rd. #12, San Marcos, CA 92069
Toll Free 800-996-7188
www.superiorcasecoding.com
Phone 760-744-5211 Fax 760-744-5232



An ink channel barrier membrane within the sealed printhead housing shields the printhead and protects printhead electronics from ink intrusion.

